

**More efficiency,
less energy consumption**



XStream **Air and Dirt Separators**



**The Smart Innovation for Heating Installations.
With Extreme Effect.**

- With a unique ECO / MAX mode
- Easy to install
- Prolongs the life of the system by reducing wear and tear
- Minimal heat loss through integrated insulation
- Reduces energy consumption by 15% through improved system performance

Be amazed by the Flamco XStream

Our mission:

Offering landlords and developers added value by reducing energy consumption and improving system performance.

A big step forward

The removal of air and dirt is essential for a good and efficient heating system. Our new generation of air and dirt separators is a large step forward. The Flamco XStream significantly prolongs the life of your heating system through a guaranteed reduction in energy consumption and class leading efficiency.

The Flamco XStream Effect:

- 1 Up to **15% less** energy consumption of the heating system*
- 2 Automatic venting: **additional comfort** for users
- 3 **Less wear and less chance of break-down**
- 4 Up to **6% more efficiency** of the heating system*
- 5 **ECO/MAX mode** Optimal capture of air and dirt

*More comfort,
less consumption.*

The New Standard

"Technology, quality and innovation are in our DNA. As a result, we are able to provide our customers with products and services that contribute positively to energy saving, comfort, system reliability and optimum ease of use and installation.

With the introduction of the Flamco XStream, we set the new standard in the field of air and dirt separation. Flamco XStream Air and Dirt separators ensure lower energy consumption, less wear and tear, fewer breakdowns, a longer lifespan and thus a higher efficiency of heating installations.

With this we jointly contribute to a sustainable future."

Maarten van de Veen
Flamco CEO




Flamco XStream Vent Air Separator

More comfort, more efficiency

The Flamco XStream Vent ensures that air in the installation is separated quickly and efficiently. The result: more comfort, less corrosion, less noise and more efficiency of the heating system.



Flamco XStream Clean Dirt Separator

Less wear, less maintenance

The Flamco XStream Clean ensures optimal separation of dirt and magnetite. The result: less heat losses, less wear, less maintenance and a heating system that lasts longer.



Flamco XStream Vent-Clean Air and dirt separator

An effective combination

In installations where space is a premium the Flamco XStream Vent-Clean is the ideal solution.

* Calculated according to the Hysopt method in a system with a gas boiler and manually operated radiator valves



Flamco *XStream*

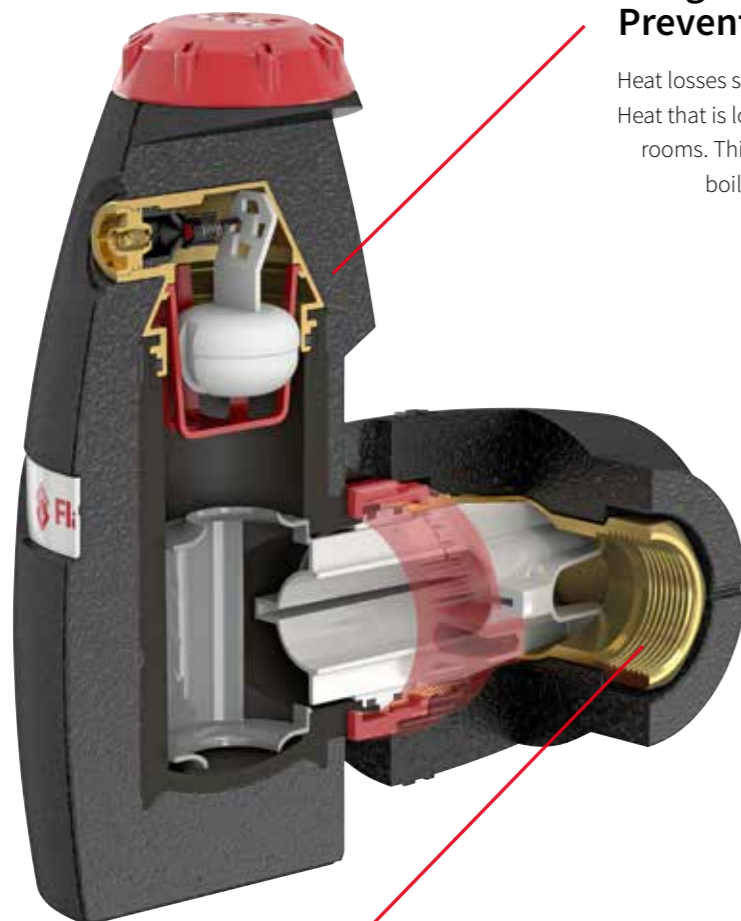
Innovation in Separation Technique

Integrated Insulation Prevents Heat Losses

Heat losses should be limited as much as possible in an installation. Heat that is lost through pipes and appendages is not used to heat rooms. This is wasted energy. It also means that the central heating boiler has to work unnecessarily hard. The XStream is supplied with an integral insulation jacket which ensures heat losses are kept to a minimum. This reduces heat losses to a minimum.

Thanks to the service indicator, there is no need for service stickers any more

The integrated service indicator indicates when the Flamco XStream Clean was last flushed. With the Flamco XStream Vent, the service indicator indicates when the system was last vented in the MAX mode. Thanks to service indicator, there is no need for external service indicators.



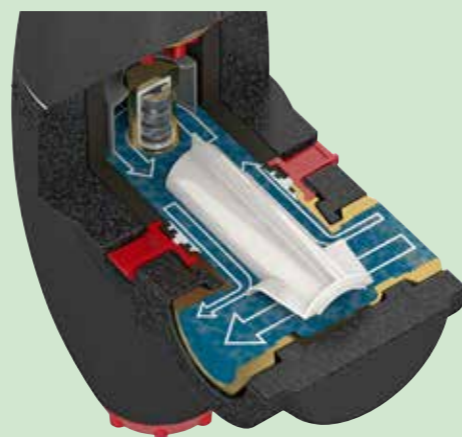
Installation 100% easy

Flamco XStream is equipped with a 360 degree rotating connection. This makes it possible to install in horizontal, vertical and diagonal lines. In doing so, no account needs to be taken of the flow direction of the installation. This prevents installation errors.

Flamco XStream air and dirt separators are available with three different connections:

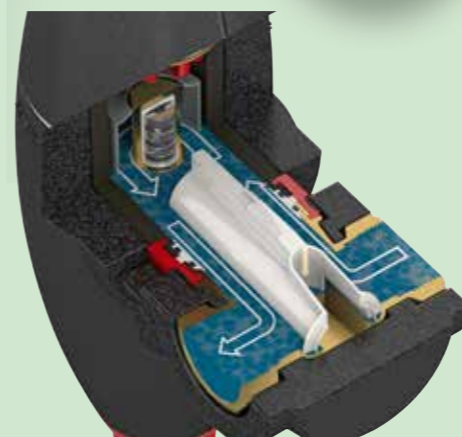
- internal thread
- compression
- flat-sealing external thread (for compact and fast installation in existing installations).

Unique ECO / MAX mode



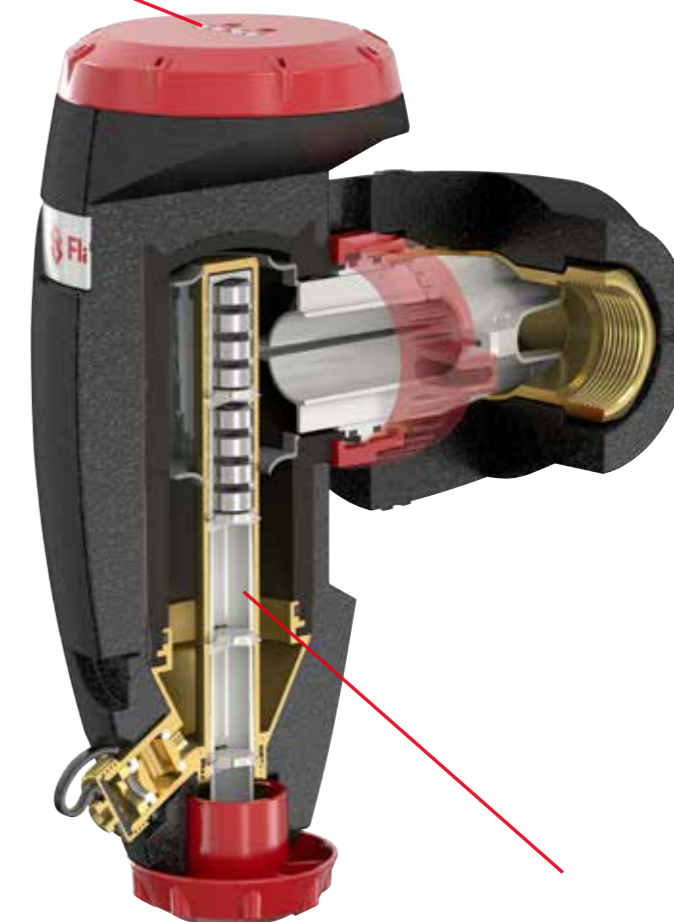
ECO mode

In the ECO mode a part of the system water (partial flow) is led through the Flamco XStream. This position has a low resistance and pressure drop. The advantage of this is that the pump has to work less in the installation. Air, dirt and magnetite are captured in this position in an effective and energy-efficient way.



MAX mode

The MAX mode is used primarily during system start-up. In this position all the system water is led through the Flamco XStream. The advantage of this is that air, dirt and magnetite are captured extremely quickly. This allows the installation to quickly run at a comfortable and energy-efficient level.



Smart magnet function

Thanks to the powerful internal magnet, the Flamco XStream Clean and the Vent-Clean are efficient at the removal of magnetite from the system. The magnet in the Flamco XStream is designed to create an optimal magnetic field which captures even the smallest magnetic particles.

Optimum Efficiency: The Result Counts!

Flamco XStream delivers the best performance in the field of air, dirt and magnetite separation. This makes the Flamco XStream an essential component for an efficient heating system.



Flamco and Aalberts: Leading Technology



Flamco is part of Aalberts, a worldwide specialist in the field of high-quality industrial products and processes. The products manufactured by Aalberts companies can be found in the automotive, process and the HVAC industry.



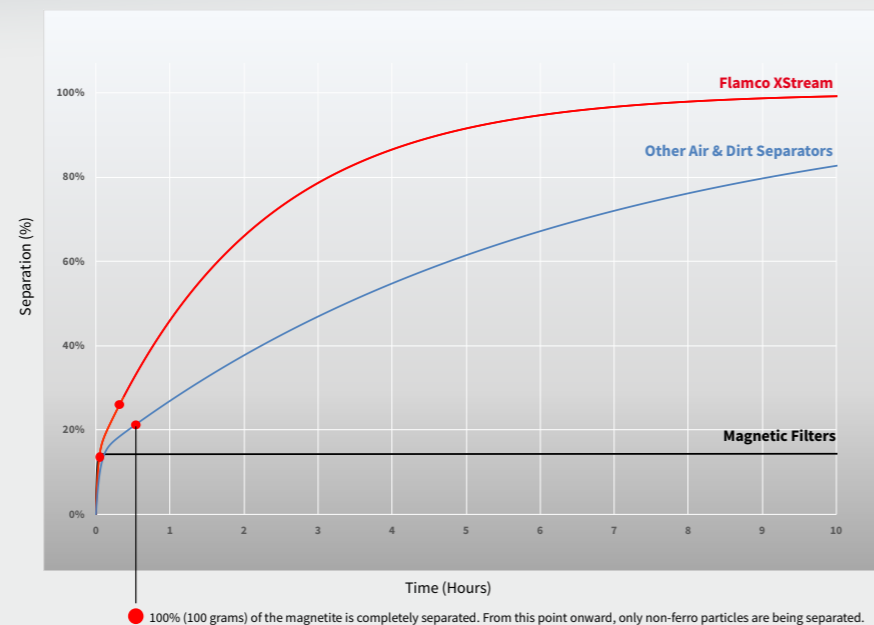
'Life cycle management' of building, home and installation

Flamco is involved in every phase in the life cycle of a building. During the planning phase, we deliver the required product data, such as BIM models, calculations and drawings. To simplify the work during new construction or renovation, we deliver pre-assembled products directly to the construction site. Our technical specialists are available for training, commissioning, service and maintenance.

Collection efficiency dirt and air (micro bubbles)

With air and dirt, the Flamco XStream in Eco mode has a faster and better collection rate compared to competing air & dirt separators.

Measuring method verified by Deltares (protocol 1207599-000),
Size 2". v = 1,5 m/s, 600 gram silica particles (size = 40-70 µm),
100 gram magnetite (size = 10-60 µm).



● 100% (100 grams) of the magnetite is completely separated. From this point onward, only non-ferro particles are being separated.

Up to 60% more efficient heat release.



Without XStream



With XStream

15-Year Warranty

The Flamco brand is synonymous with the production of high quality products. This quality can be seen everywhere and therefore we give a 15-year guarantee on Flamco XStream.

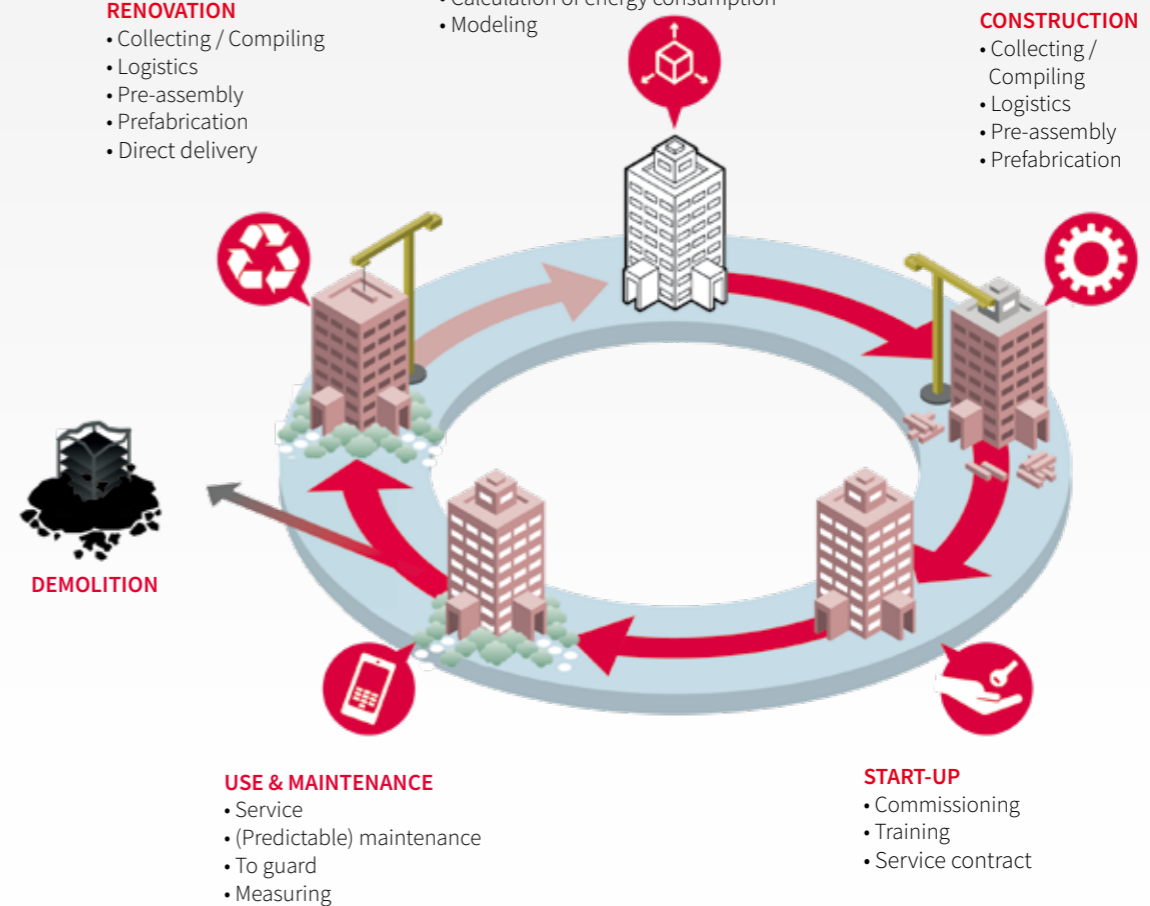
- RENOVATION**
- Collecting / Compiling
 - Logistics
 - Pre-assembly
 - Prefabrication
 - Direct delivery

SCHEDULE

- Specifications
- Drawings
- Product selection
- Engineering
- Calculation of energy consumption
- Modeling

CONSTRUCTION

- Collecting / Compiling
- Logistics
- Pre-assembly
- Prefabrication





We supply products for heating systems to installation companies in more than 70 countries. We use a network of subsidiaries and wholesalers who are familiar with the local market and can therefore always provide you with expert advice.

Flamco XStream
*The Smart Innovation
for your Heating Installation.
With Extreme Effect.*

www.flamcogroup.com/xstream

The Netherlands

Flamco B.V.
PO Box 502
3750 GM Bunschoten
Amersfoortseweg 9
3751 LJ Bunschoten
T +31 (0)33 299 75 00
E info@flamco.nl
I www.flamcogroup.com

United Kingdom

Flamco Limited
Washway Lane
St Helens, Merseyside
WA10 6PB
T +44 1744 744 744
F +44 1744 744 700
E info@flamco.co.uk
I www.flamcogroup.com

United Arab Emirates

Flamco Middle East
PO Box 262636
Jebel Ali
Dubai
T +971 4 881 95 40
F +971 4 881 95 60
E info@flamco-gulf.com
I www.flamcogroup.com